

Appendix B:

Software List

Clinton Central School Technology Plan

2010 – 2013

Clinton Central Schools

Computer Aided Software

- 1. Rubicon International**
- 2. Torcomp**
- 3. Project Lead The Way, Inc**
- 4. Castle Software INC**
- 5. School Improvement Network**
- 6. Seacliff Assoc., LLC DBA Eboard**
- 7. Quia Corporation**
- 8. Examgen Inc.**
- 9. Eboard/Seacliff Associates, LLC**
- 10. TLIC Worldwide, INC**
- 11. Symantec SMB Renewals**
- 12. MakeMusic, Inc**
- 13. Polar/Health First**

Clinton Central School District: Installed Applications
Summary of all applications installed
728 Items.

Application Name	Latest Version
3124-W-I32-R SATARAID5	0.0.1
32 Bit HP BiDi Channel Components Installer	1.1.0.2
32 Bit HP CIO Components Installer	6.1.2
3Com Device Manager	1.0.0.0
3Com Network Director	3.0
3ivx MPEG	5.0.3
Access Help	2.02
AccuWage	2009
Acrobat.com	2.1.0.0
Active Perl	5.10.1004
Add or Remove Adobe Creative Suite 3 Design Premium	1.0
Adobe Acrobat	4.0
Adobe Acrobat Professional	8.1.4
Adobe Acrobat 8 Professional	8.1.4
Adobe Acrobat 8.1.2 Security Update	KB403742
Adobe Acrobat and Reader Security Update	8.1.2
Adobe AIR	1.5.3.9130
Adobe Anchor Service CS3	1.0
Adobe Asset Services CS	3
Adobe Bridge	001.000.004
Adobe Bridge CS3	2
Adobe Bridge Start Meeting	1.0
Adobe BridgeTalk Plugin CS3	1.0
Adobe Camera Raw	4.0
Adobe CMaps	1.0
Adobe Color - Photoshop Specific	1.0
Adobe Color Common Settings	1.0.1
Adobe Color EU Extra Settings	1.0
Adobe Color JA Extra Settings	1.0
Adobe Color NA Recommended Settings	1.0
Adobe Common File Installer	1.00.0000
Adobe Creative Suite 3 Design Premium	1.0
Adobe Default Language CS3	1.0
Adobe Device Central CS3	1.0
Adobe Download Manager	1.6.2.63
Adobe Dreamweaver CS3	9
Adobe ExtendScript Toolkit	2.0.2
Adobe Extension Manager CS3	1.8
Adobe Flash CS3	9.0
Adobe Flash Player 10 ActiveX	10.0.45.2
Adobe Flash Player 10 Plugin	10.0.32.18
Adobe Flash Player 9 ActiveX	9.0.124.0

Adobe Flash Player 9 Plugin	9.0.124.0
Adobe Flash Player Plugin	9.0.47.0
Adobe Flash Video Encoder	2.0
Adobe Fonts All	1.0
Adobe Help Center	001.000.000
Adobe Help Viewer CS3	1
Adobe Illustrator CS3	13.0
Adobe InDesign CS3	5.0
Adobe InDesign CS3 Icon Handler	5.0
Adobe Linguistics CS3	3.0.0
Adobe MotionPicture Color Files	1.0
Adobe PageMaker	6.5
Adobe PDF Library Files	8.0
Adobe Photoshop CS2	9.0
Adobe Photoshop CS3	10
Adobe Reader	9.3.2
Adobe Reader 9 Lite	9.0.0
Adobe Reader 9.1 Lite	9.1.0
Adobe Setup	1.0
Adobe Shockwave Player	11.5.6.606
Adobe SING CS3	0.1
Adobe Stock Photos	1.0.8
Adobe Stock Photos CS3	1.5
Adobe Type Support	1.0
Adobe Update Manager CS3	5.1.0
Adobe Version Cue CS Client	3
Adobe Version Cue CS3 Server {ko_KR}	3.0.0.0 {ko_KR}
Adobe WAS CS3	1.0
Adobe WinSoft Linguistics Plugin	1.0
Adobe XMP Panels CS3	1.0
Agere Systems PCI Soft Modem	
AHV content for Acrobat and Flash	1
Ainsworth Keyboard 4 C	
All-Pro Software StatTrak for Basketball Demo	3.0
AllMusicConverter	3.8.5
ALOT Toolbar	
AOEMView	17.2.56.0
Apache Tomcat	5.5
APC PowerChute Business Edition Agent	1
APC PowerChute Business Edition Console	1
APC PowerChute Business Edition Server	1
APC PowerChute Business Edition v.7.0.5 Update For Vista	1.0.0.2
Apple Application Support	1.2.1
Apple Mobile Device Support	3.0.0.102
Apple Software Update	2.1.2.120
Ask Toolbar	4.1.0.2
ATC Wintax	10.7.43
ATI - Software Uninstall Utility	6.14.10.1015
ATI Catalyst Control Center	1.2.2400.31026

ATI Display Driver	8.263.5.1-060607a-035600C-Dell
Audacity	1.3.8
AutoCAD 2009 - English	17.2.608.0
AutoCAD Architecture	5.7.86.0
AutoCAD Architecture 2009	3
AutoCAD Civil 3D	6.0.1094.1
AutoCAD Civil 3D 2009	2
AutoCAD Civil 3D Land Desktop Companion	17.2.288.0
AutoCAD Civil 3D Land Desktop Companion 2009	2
AutoCAD MEP	5.7.68.0
Autodesk 3ds Max Design 2009 32-bit	11.5.0.306
Autodesk 3ds Max Design 2009 32-bit Additional Maps and Material Lib	11.0
Autodesk 3ds Max Design 2009 32-bit Architectural Materials Library	11.0
Autodesk 3ds Max Design 2009 32-bit Movies	11.0
Autodesk 3ds Max Design 2009 32-bit ProMaterialsTM Library	11.0
Autodesk 3ds Max Design 2009 32-bit Vault 2008 Plug-In	11.0
Autodesk 3ds Max Design 2009 32-bit Vault 2009 Plug-In	11.0
Autodesk Backburner	2008.1
Autodesk Data Management Server	13.0.47.0
Autodesk Design Review	9.1.127
Autodesk Inventor 2009 Network License Activation Utility	16.0.0.0
Autodesk Inventor Content Center Libraries	14.0.0000.22302
Autodesk Inventor Professional	14.2.0000.26000
Autodesk Inventor Professional 2010 English	14.2.0000.26000
Autodesk Inventor Professional 2010 SP1	14.2.0000.26000
Autodesk Inventor Professional 2010 SP2	14.2.0000.26000
Autodesk Network License Manager	11.4.0.0
Autodesk Vault	13.0.47.0
AutoUpdate	1.0
AVerVision Software	3.1.2.0004
B A S I C 2 0 0	4
BASC 2 ASSIST	1.0.0.0
BlackBerry Desktop Software	5.0.1.18
BlackBerry® Media Sync	2.0.28
Bluerock Technologies Flight Studio 3ds Max Design 2009 32-bit	11.0
Bonjour	2.0.0.34
BRCA Risk Calculator	
Broadcom Gigabit Integrated Controller	10.50.03
Broadcom NetXtreme Ethernet Controller	10.52.10
BufferChm	60.0.155.000
Business-in-a-Box	5.0.2
C3D_2009_VE_HF1	
CalorieKing Joslin Browser Toolbar	1.1.0.3
CCleaner	2.31
CELF-4 Scoring Assistant	1.0.1
Classroom Performance System	6.11.0001
Classroom Performance System for PowerPoint	5.62.0066
CleanUp	
Client Security Solution	8.00.0311.00

CMS	
CNCBase for proLIGHT 1000 Machining Center	4.1
CNCMotion for proLIGHT 1000 Machining Center	4.1
Compatibility Pack for the 2007 Office system	12.0.6425.1000
Cool Edit Pro	
Core FTP LE	2.1
Core FTP Server	
Coupon Printer for Windows	5.0.0.0
CouponBar	
CP_AtenaShokunin1Config	60.0.155.000
CP_CalendarTemplates1	60.0.155.000
cp_OnlineProjectsConfig	60.0.155.000
CP_Package_Basic1	60.0.155.000
CP_Panorama1Config	60.0.155.000
cp_PosterPrintConfig	60.0.155.000
CreativeProjects	5.35.0.059
Crystal Web Report Server Components	
CueTour	60.0.155.000
CustomerResearchQFolder	1.00.0000
CyberSmart Toolbar	1.2.0
db-audioware DirectX plugin pack	
Delicious Add-on for Internet Explorer	
Dell Printer Software	1.00.000
Dell ResourceCD	
Destinations	60.0.155.000
DeviceFunctionQFolder	1.00.0000
DeviceManagementQFolder	1.00.0000
DeviceManager	6.12.1.0
Digital Voice Editor	3.1.02.12070
Director	5.35.0.051
Diskeeper Lite	9.0.541
Disney's Ready for Math with Pooh	
DivX	5.2.1
dj6980	60.0.196.000
dj_taplugin	60.0.196.000
Download Updater	
DWG TrueView	18.0.55.0
DynDNS Updater	4.0.8
Earobics Step 1 SpecialistClinician	
Earobics Step 2 Specialist Clinician	
Edgecam	12.50
Edgecam CAD Link	
Envision for IBEX	2.10.0000
EPSON TWAIN	5
eSupportQFolder	1.00.0000
ExamView Assessment Suite	
ExamView Player	
ExamView Pro	
EZUpdate	

FBX Plugin 2009.0 for Max	2009
ffdshow [rev 2280] [2008-11-02]	1.0
ffdshow [rev 2970] [2009-05-26]	1.0
Finale 2001a	
FitnessGram 8 Client	8.0
FitnessGram 8 District Server	8.0
Flat pattern user parameters wont update into custom properties	
FlipShare	5.0.5.52727
FOX News Live	0.0.0
FOX News Live Stream	v1.0.562
French Spelling Settings	
FullDPAppQFolder	1.00.0000
getPlus(R) for Adobe	1.5.2.35
Glencoe Accounting: Electronic Learning Center	2007
Glencoe French Interactive Conversations	2002
Glencoe PuzzleMaker	2.0
Google Chrome	4.1.249.1059
Google Desktop	5.9.0911.03589
Google Earth	5.2.0.5920
Google Toolbar for Internet Explorer	1.0.0
Google Update Helper	1.2.183.23
Google Updater	2.4.1739.5352
Graph Paper Printer	5.4.0.2
Greeting Card Creator	32
Harcourt Math Standalone	
Harcourt Science Instant Readers Grade K Life Network	
Harcourt Science Instant Readers Grade K Physical Network	
Hardlock Device Driver	
HASP HL Device Driver	
Headless Server Registry Update	1.0.0.0
Help Center	2.00c
HI-TECH C51-lite VPL0	9.60
HI-TECH PICC lite VPL0	9.60
HighMAT Extension to Microsoft Windows XP CD Writing Wizard	1.1.1905.1
HighPoint Web RAID Management Service	
HijackThis	1.99.1
HP Array Configuration Utility	8.30.5.0
HP Array Configuration Utility CLI	8.30.5.0
HP Array Diagnostic Utility	8.0.14.0
HP Deskjet	1.00.0000
hp deskjet	1.03.0000
hp deskjet 5100 series	
hp deskjet 5550 series	
hp deskjet 5600 series	
hp deskjet 6122 series	
HP Deskjet 6500 Series	
HP Deskjet 6900 series	6.0
hp deskjet 930c series	
hp deskjet 940c series	

hp deskjet 950c series	
hp deskjet 960c series	
HP Driver Diagnostics	1.03.0009
HP Extended Capabilities	6.0
HP Image Zone	3.5
HP Imaging Device Functions	6.0
HP Insight Diagnostics Online Edition for Windows	8.3.0
HP Insight Diagnostics Online Edition for Windows	8.3.0
HP iPAQ	3.5
HP LaserJet P4010_P4510 Series	
HP Lights-Out Online Configuration Utility	2.2.0.5
HP Memories Disc	1.0.4.805
HP Photo and Imaging 2.2 - Scanjet 3970 Series	2.2.0000
hp photosmart 7700 series	
HP Photosmart Essential	1.8.0.26
HP Precisionscan Pro	3.1.3.0000
HP Print Diagnostic Utility	1.11.0004
HP Product Assistant	100.000.001.000
HP Product Detection	9.7.2
HP ProLiant Integrated Management Log Viewer	5.23.0.0
HP ProLiant PCI-express Power Management Update for Windows	1.3.0.0
HP ProLiant Remote Monitor Service	5.21.0.0
HP ProLiant Smart Array Device Manager Extension	6.6.0.32
HP SetRefresh	1.2.1.3
HP Share-to-Web	
HP Smart Array SAS/SATA Event Notification Service	6.16.0.64
HP Softpaq SP46137	
HP Software Update	3.0.6.003
HP Solution Center and Imaging Support Tools	6.0
HP System Management Homepage	3.0.2
HP Update	5.002.001.004
HP Version Control Agent	2.2.1.830
hpf_ProductContext	60.0.196.000
HPPProductAssistant	60.0.155.000
HPSystemDiagnostics	1.5.0.0
HSP Math Grade	5
Hyper-V Guest Components	
Image Mate	2.00.1520
Image Transfer	1.0
ImageMixer for Sony	1.5.2.0
Imation Disk Manager V a Service	
Inbox Toolbar	1.0.0
Info-Matic WorkStation Update	
InfoPay 2005 Client	1.000.00
InfoPay 2007 Update	
InfoPay 2008 Update	
InfoPay 2009 Update	
InfoPay 2010 Update	
Inspiration	7.5

InstallMgr	1.0.39.0
InstantShare	3.5.0.21
InstantShareDevices	60.0.155.000
InteGrade Pro Server	9.4.0.0
Integrated Camera	5.8.8.010
Intel(R) Extreme Graphics 2 Driver	6.14.10.4396
Intel(R) Graphics Media Accelerator Driver	6.14.10.4410
Intel(R) Management Engine Interface	
Intel(R) Network Connections	14.8.43.0
Intel(R) Network Connections Drivers	14.0
Intel(R) PRO Network Adapters and Drivers	
Intel(R) PRO Network Connections	12.1.12.0
Intel(R) PRO Network Connections Drivers	
Intel(R) PROSet/Wireless Software	11.01.0.API
intelitek CNC Machines	4.1
Intelitek USB robot controller driver	1.00.0000
Intel® Management Engine Interface	
InterActual Player	
InterVideo Register Manager	1.0.4.0
InterVideo WinDVD	5.0-B11.1156
InterVideo WinDVD Creator	3.0.01.196
Inventor unexpectedly exits when switching LOD	
IOGEAR Bluetooth Software	5.1.0.1100
iPAQ	1.00.0000
iPIX ActiveX Viewer	
iPod for Windows	4.7.0
iTunes	9.1.0.79
Java Auto Updater	2.0.2.1
Java Runtime Environment	1.5.0.60
Java(TM) 6 Update	6.0.200
Java(TM) SE Runtime Environment	1.6.0.0
K-Lite Codec Pack	4.0.0
KPrint	
Kyocera KM-C4035E Product Library	
Kyocera Product Library	2.0.713
Learning Essentials for Microsoft Office	2.0
LEGO Digital Designer	
LEGO MINDSTORMS Edu NXT - English Language Pack	1.1.100.0
LEGO MINDSTORMS Edu NXT Software	1.1.429.0
LEGO MINDSTORMS NXT Driver	1.16.769
LEGO MINDSTORMS NXT Edu Migration Package	1.2.8.0
Lenovo Registration	
Lernout & Hauspie TruVoice American English TTS Engine	
LexisNexis® CD on Folio®	2.0
LightScribe	1.4.142.1
LightScribe System Software	1.14.25.1
LiveReg	2.1.5.1502
LiveUpdate	3.2.0.68
LLWin	3.03

Logger Pro	
LP6980_Help	60.0.196.000
LP6980Trb	60.0.196.000
Macromedia Dreamweaver MX	6.0
Macromedia Extension Manager	1.5
Macromedia Flash Player	7.0.19.0
Macromedia Shockwave Player	
Maintenance Manager	3.0.5.0
Malwarebytes' Anti-Malware	
Mandarin M3	1.711.2009009
MarketResearch	60.0.155.000
Math Blaster Ages 9-12 Network	
McAfee Agent	4.0.0.1494
McAfee ePolicy Orchestrator	3.6.1
McAfee ePolicy Orchestrator 3.6.1 PATCH	4
McAfee GroupShield for Exchange	7.0.716.103
McAfee VirusScan Enterprise	8.7.00003
mCore	9.21.0000
mDriver	9.21.0000
MDSolids	3.5
Message Center	2.01b
Messaging API and Collaboration Data Objects	6.5.8069.0
Microsoft .NET Framework	3.5.21022
Microsoft .NET Framework (English)	v1.0.3705
Microsoft .NET Framework 1.1 Security Update	KB953297
Microsoft .NET Framework 2.0 Service Pack	2.2.30729
Microsoft .NET Framework 3.0 Service Pack	3.2.30729
Microsoft .NET Framework 3.5 SP1	3.5.30729
Microsoft ActiveSync	4.5.5096.0
Microsoft Application Error Reporting	12.0.6015.5000
Microsoft Compression Client Pack .0 for Windows XP	1
Microsoft Creative Writer	2
Microsoft Default Manager	2.1.54.0
Microsoft Encarta Reference Suite	2001
Microsoft Exchange 2007 Enterprise Anti-spam Signatures	3.3.4604.600
Microsoft Exchange 2007 Enterprise Block List Updates	3.3.4604.001
Microsoft Exchange 2007 Standard Anti-spam Filter Updates	3.3.8826.539
Microsoft Exchange Server	8.2.176.2
Microsoft Firewall Client	4.0.3442
Microsoft Firewall Client Updates	4.0.3442
Microsoft FrontPage Server Extensions 2002 for Windows Server	10.0.6819.0
Microsoft Full Text Indexing Engine for Exchange	8.2.176.0
Microsoft Group Policy Management Console with SP1	1.0.2.0
Microsoft Internationalized Domain Names Mitigation APIs	
Microsoft ISA Server	4.0.2167
Microsoft ISA Server 2004 Service Pack	4.0.2167
Microsoft ISA Server 2004 Update KB940709	4.0.2167
Microsoft ISA Server 2004 Update KB951958	4.0.2167
Microsoft ISA Server 2004 Update KB960995	4.0.2167

Microsoft ISA Server 2004 Update KB970454	4.0.2167
Microsoft Kernel-Mode Driver Framework Feature Pack	1.5
Microsoft Math	2007
Microsoft National Language Support Downlevel APIs	
Microsoft ODBC .NET Data Provider	1.0.0.3328
Microsoft Office 2003 Desktop Language Settings	1.0.0550.0
Microsoft Office 2003 FrontPage	2003
Microsoft Office 2003 International Character Toolbar	11.0.0024.0
Microsoft Office 2003 Primary Interop Assemblies	11.0.6553.0
Microsoft Office 2003 Professional	2003
Microsoft Office 2007 Live Meeting	8.0.6362.114
Microsoft Office 2007 Primary Interop Assemblies	12.0.4518.1014
Microsoft Office Live Add-in 1.4	2.0.3008.0
Microsoft Producer for Microsoft Office PowerPoint	2.0.1389.0
Microsoft Report Viewer Redistributable	KB971118
Microsoft Search Enhancement Pack	2.0.264.0
Microsoft Silverlight	4.0.50401.0
Microsoft SQL Server	2005
Microsoft SQL Server 2005 Backward compatibility	8.05.2102
Microsoft SQL Server 2005 Express Edition	9.3.4035.00
Microsoft SQL Server 2005 Tools Express Edition	9.3.4035.00
Microsoft SQL Server Desktop Engine	8.00.2039
Microsoft SQL Server Management Studio Express	9.00.3042.00
Microsoft SQL Server Native Client	9.00.4035.00
Microsoft SQL Server Setup Support Files	9.00.4035.00
Microsoft SQL Server VSS Writer	9.00.4035.00
Microsoft Student 2007 for Learning Essentials	
Microsoft Student with Encarta Premium	2008
Microsoft Text-to-Speech Engine	4.0
Microsoft UI Engine	4.0.0318.1
Microsoft User-Mode Driver Framework Feature Pack	1.0
Microsoft VC9 runtime libraries	1.0.0
Microsoft Visual C++ 2005 ATL Update kb973923 - x86	8.0.50727.4053
Microsoft Visual C++ 2005 Redistributable	8.0.56336
Microsoft Visual C++ 2008 ATL Update kb973924 - x86	9.0.30729.4148
Microsoft Visual C++ 2008 Redistributable - x86	9.0.30729
Microsoft Visual Studio 2005 Tools for Office Runtime	8.0.60940.0
Microsoft Web Publishing Wizard	1.52
Microsoft Works 6-9 Converter	9.7.0621
Microsoft WSE 3.0 Runtime	3.0.5305.0
Microsoft XML Parser	8.70.1104.04
MicroStaff WINASPI	
MindPoint Quiz Show	
mMHouse	9.21.0000
MobileMe Control Panel	2.6.0.29
Motorola Driver Installation	3.3.0
Mozilla Firefox	3.6.3 (en-US)
MpegWare CD Ripper	2.1
mPfmMgr	9.21.0000

mProSafe	9.00.0000
MSN Toolbar	4.0.0379.0
MSN Toolbar Platform	4.0.0379.0
MSXML 4.0 SP2	4.20.9876.0
MSXML 4.0 SP2 Parser and SDK	4.20.9818.0
MSXML 6 Service Pack	6.20.2003.0
MSXML 6.0 Parser	6.10.1200.0
Music Ace	2
Musicnotes Player V and Viewer	1.23.2
mWIsSafe	9.00.0000
My Web Search	
MyDefrag	4.0.0.0
MyScript HWR	4.4.5.1
National Instruments Software	
Network Time Protocol	4.2.4p5@beijing-o
Neuratron PhotoScore Lite	5.5.1
New York SRC Companion SE	
NI Circuit Design Suite 10.1 Core	10.1.357
NI Circuit Design Suite 10.1 Edu Licenses	10.1.197
NI Circuit Design Suite 10.1 Education	10.1.197
NI DN 2.0 installer	2.00.49154
NI EULA Depot	2.51.88
NI Help Assistant	1.0.10
NI LabVIEW Real-Time FIFO for Runtime	8.5.264.0
NI LabVIEW Run-Time Engine	8.5.306.0
NI LabWindows/CVI 8.1.1 Run-Time Engine	8.1.1361
NI License Manager	3.2.1026
NI Logos	4.9.105.0
NI Logos XT Support	4.9.44.0
NI Math Kernel Libraries	1.0.861.0
NI MDF Support	2.51.88
NI MetaSuite Installer	2.51.93
NI Service Locator	8.5.160.0
NI TDMS	1.1.286.0
NI Uninstaller	2.51.88
NI Update Service	1.0.254.0
NI Update Service Extras	1.0.257.0
NI USI	1.5.03128
NI VC2005MSMs x86	8.01.2
NICI	2.6.6-1
Notebook Software	10.0.631.3
NTP Time Server Monitor	0.9g
NVIDIA Display Control Panel	6.14.11.9745
NVIDIA Drivers	1.10.59.37
NVIDIA nView Desktop Manager	125.19
NVIDIA PhysX	9.09.0203
NvMixer	
OGA Notifier	2.0.0048.0
On Screen Display	5.04

OpenDNS Updater	1.3.0.187
overland	2.1.5
Palm	4.1.0420
Party and Crafts Creator	
PCFriendly	
PDF Settings	1.0
PDFCreator	0.9.9
PeaceMaker Demo	1.063
Peachtree Complete Accounting Educational	12.00.00
Performance problem when publishing DWF files from an assembly wi	
Pervasive PSQL v10.10 Client	10.13.034
Pervasive PSQL v10.10 Server Engine	10.13.034
Pervasive System Analyzer	
Pervasive.SQL 2000 Client	
Photo Story 3 for Windows	3.0.1115.11
PhotoGallery	60.0.155.000
Photosmart 140,240,7200,7600,7700,7900 Series	2.0
PHP	5.3.0
Pinnacle Hollywood FX	5
Pinnacle TVCenter Pro	4.70.1426
Planning Express Multiuser Patch	
Polar PE Manager Software	4.9.0.0
Polar Pocket PE Manager	4.9.0.0
Polar Pocket TriFIT	4.9.0.0
PowerChute Network Shutdown	
PowerDVD	
Presentation Director	3.04
PrimoPDF	4.1.0.9
PrimoPDF -- by Nitro PDF Software	5.0.0.19
PrintScreen	5.35.0.035
Productivity Center Supplement for ThinkPad	2.00
PSSchedEngine	
PSShortcutsP	1.01.0000
PSUsage	1.30.0000
pughappy_3129550 Screen Saver	
Punch! Home Design - Architectural Series	
Q-Manager	2.15
QFolder	1.00.0000
Quake III Arena Cell Shading	1.0.0
QuickBooks	19.0.4009.705
QuickBooks Premier: Accountant Edition	19.0.4009.705
QuickBooks Pro	18.0.4008.606
Quicken	16.1.1.27
QuickProjects	5.35.0.047
QuickTime	7.66.71.0
QuickTime for Windows	
RandMap	60.0.155.000
Read, Write & Type! CD	
Readme	60.0.196.000

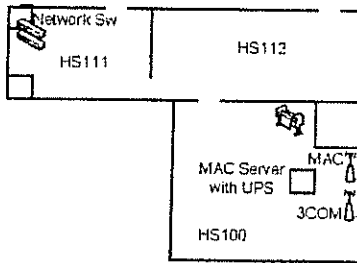
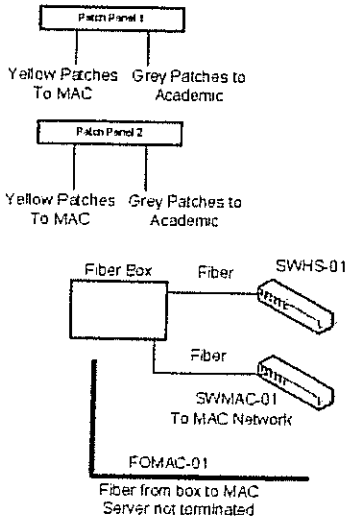
RealPlayer	
Realtek High Definition Audio Driver	5.10.0.5605
RealUpgrade	1.0.0
RebateInformer	1.0.0.54
RecordNow Audio	2.0.4
RecordNow Copy	2.0.4
RecordNow Data	2.0.4
RegCure	2.1.0.0
RelevantKnowledge	
Remove Multimedia Center	
Rescue and Recovery	4.00.0114.00
Revit Architecture	08.09.15210
Revit MEP	08.09.15210
Rhapsody	
RICOH R5C83x/84x Flash Media Controller Driver Ver.	3.52.02
RoboCell for Controller-USB	5.3.3.2
ROBOPro (fischertechnik) Programm	
RocketFish	1.0
Roxio Audio Module	2.0.4
Roxio Copy Module	2.0.4
Roxio Creator Audio	3.3.0
Roxio Creator Basic	3.3.0
Roxio Creator Copy	3.3.0
Roxio Creator Data	3.3.0
Roxio Creator Tools	3.3.0
Roxio Data Module	2.0.4
Roxio DLA	5.2.0
Roxio Drag-to-Disc	9.0
Roxio Express Labeler	2.1.0
Roxio Media Manager	9.4.067
Roxio MyDVD Basic	9.0.116
Roxio MyDVD Plus	6.1.3
Roxio Update Manager	3.0.0
RubricMaker	
Safari	5.31.21.10
Scarab Shooter	1.2
Science Instant Readers Network GK Earth TMS	
Science Instant Readers Network GK Life TMS	
Science Instant Readers Network GK Physical TMS	
SCORBASE for Controller-USB	5.3.3.2
Scrabble Complete	1.00.000
SDLT 160/320 Density Select	
SecureDisc Client	2.2.1
Sentinel System Driver	
ShareIns	1.00.0000
Shockwave	
Shockwave Player	8.5.1.436
Sibelius	5.2.0
Sibelius Licence Server	5.1.5

Sibelius Scorch	6.1.0
Sibelius Sounds Essentials	
Sibelius Sounds Essentials Update	1.0.0
SiteRanker	1.0.0.17
SkinsHP1	60.0.155.000
SkinsHP2	5.35.0.043
SMART Board Drivers	10.0.528.7
SMART Board Software	9.7.44.0
SMART Essentials for Educators	1.1.9.0
SMART Ideas	5.1.19.2
SMART Notebook	10.6.94.0
SMART Notebook Math	10.5.40.0
SMART Product Drivers	10.6.48.0
SMART Product Update	4.0.58.0
SmartMusic	12.0.0
SmartSound Quicktracks Plugin	3.0.2.4
Soap Runtime v2.0 SP2	1.0.0.0
Software for Controller-USB	5.3.3.2
Software Setup	
Solitaire	
SolutionCenter	60.0.155.000
Sonic Activation Module	1.0
Sonic DLA	5.2.0
Sonic Express Labeler	2.1.0
Sonic Icons for Lenovo	1.0.2
Sonic Update Manager	3.0.0
Sonic_PrimoSDK	60.0.155.000
Sony USB Driver	
Sound Set Editor	1.1.6
SoundMAX	5.12.01.3665
Spaceship Challenge CD	
Spelling Dictionaries Support For Adobe Reader	9.0.0
Spiceworks	4.6.49368
SRA Reading Lab	
SSA1000	
Status	60.0.155.000
Studio	9.0
Studio 9.4 Patch	9.4.3.70
Studio Content DVD	1.00.000
Sun ODF Plugin for Microsoft Office	3.1.9399
Support Manager for Internet Explorer	1.00.0000
SupportSoft Assisted Service	15
Symantec Backup Exec (TM) 12 for Windows Servers	12.0.1364
Symantec Backup Exec for Windows Servers	12.0.1364
Symantec Backup Exec License Assessment Tool	2.0.0
Symantec Backup Exec Remote Agent for Windows Systems	12.0.1364
Symantec pcAnywhere	10.5
Syslog	0.3
System Migration Assistant	5.20.0033

System Requirements Lab	
System Update	3.00.0030
Teacher's Resource Planner Reading Grade	5
TeacherWorks	
TestGen	
TestWorks	3.2
The Dude	
ThinkPad Bluetooth with Enhanced Data Rate Software	5.1.0.3100
ThinkPad EasyEject Utility	2.32
ThinkPad FullScreen Magnifier	1.16
ThinkPad Modem	7.62.00
ThinkPad PC Card Power Policy	1.02
ThinkPad Power Management Driver	1.43
ThinkPad Power Manager	1.22
ThinkPad UltraNav Driver	11.1.21.0
ThinkPad UltraNav Utility	1.03
ThinkVantage Access Connections	4.42
ThinkVantage Active Protection System	1.54
ThinkVantage Fingerprint Software	5.6.1.3425
ThinkVantage Productivity Center	2.10
ThinkVantage Technologies Welcome Message	1.18
Third Grade Adventures	
TrayApp	60.0.155.000
TreeSize Free	V2.2.1
TriFIT	4.9.0.0
TS1087968	
TuneClone	1.35
Turbo Squid Tentacles 3ds Max 2009 32-bit	3.2.0
Typin' Time	
Unload	6.0.0
Update for Microsoft .NET Framework 3.5 SP	1
User needs the ability to set a different unit as "cm" for sheet metal pro	
User Profile Helper Cleanup Service	2.0.49
User Profile Hive Cleanup Service	1.6.30
VBA	6.03.00.9402
Viewpoint Media Player	
Visual C++ 2008 x86 Runtime	9.0.30729
Visual C++ 2008 x86 Runtime -	9.0.30729.01
Visual Studio 2005 Tools for Office Second Edition Runtime	
Vstascan	
VZAccess Manager	6.7.3
Wallpapers	
WaveReader Ver	4.2.0047
WaveWatch	4.3.0003
Web Publishing Wizard	
WebEx	
WebFldrs XP	9.50.7523
WebReg	60.0.155.000
West Point Bridge Designer	2007

WIDCOMM Bluetooth Software	5.1.0.3500
WinCupl	5.30.4
Windows 7 Upgrade Advisor	2.0.5000.0
Windows Communication Foundation	3.0.04506.30
Windows Driver Package - FTDI CDM Driver Package	03/13/2008 2.04.06
Windows Driver Package - Intelitek	12/14/2007 1.0.0.1
Windows Genuine Advantage	1.3.0254.0
Windows Genuine Advantage Notifications	1.9.0040.0
Windows Genuine Advantage Validation Tool	1.7.0069.2
Windows Imaging	1.0.0.0
Windows Imaging Component	3.0.0.0
Windows Internal Database	9.3.4035.00
Windows Internet Explorer	20090308.140743
Windows Live ID Sign-in Assistant	6.500.3165.0
Windows Live Toolbar	03.01.0130
Windows Media Connect	
Windows Media Encoder 9 Series	9.00.2980
Windows Media Format 11 runtime	
Windows Media Format Runtime	
Windows Media Player 10	10
Windows Media Player 11	11
Windows Presentation Foundation	3.0.6920.0
Windows Resource Kit Tools	5.2.3790
Windows Server 2003	5.2.3790
Windows Server 2003 Ent	5.2.3790
Windows Server 2003 Service Pack 2 Administration Tools Pack	5.2.3790.3959
Windows Server 2008 Ent	6.0.6002
Windows Server Update Services 3.0 SP2	3.2.7600.226
Windows System Resource Manager	1.2.727.1
Windows Workflow Foundation	3.0.4203.2
Windows XP Pro	5.1.2600
Windows XP Service Pack 2	20040803.231319
Windows XP Service Pack 3	20080414.031525
WinRAR archiver	
WinSNAP	WinSNAP 2.6.1
WinZip	
Wireless Sync PC Software	07.00.23017
XML Paper Specification Shared Components Pack	1.0
XP Themes	1.00.0000
xTalk Management Console	6.1.2
Xtranormal State	2.5.3854.0
Xtranormal State - Showpak-Playgoz-Preview	1.2.8
Xtranormal State - SoundPack-Starter Kit	1.0.2
Xtranormal State - Voicepack-English-UK-Daniel	1.0.4
Xtranormal State - Voicepack-English-UK-Serena	1.0.4
Xtranormal State - Voicepack-English-US-Samantha	1.0.5
Xtranormal State - Voicepack-English-US-Tom	1.0.4
Yahoo! Toolbar	
谷歌拼音输入法	2.2

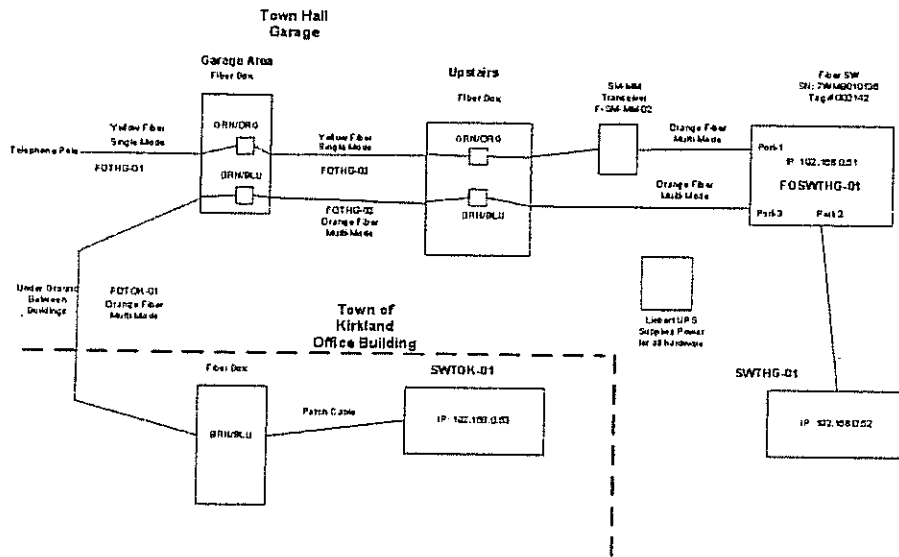
**HS ART (MAC)
Configuration**



(ip) MAC Wireless Point
54G
SN:
MAC Address:
Model:
IP:
WEP Code
Logon ID:
Logon Pswd

(ip) 3COM Wireless Point
54G

TOWN OF KIRKLAND NETWORK



Drawn by: [illegible]
Date: [illegible]

PASCO

Heating, Air Conditioning & Monitoring System

